



## ALUMINIUM WALKWAYS AND LATTICE BEAMS

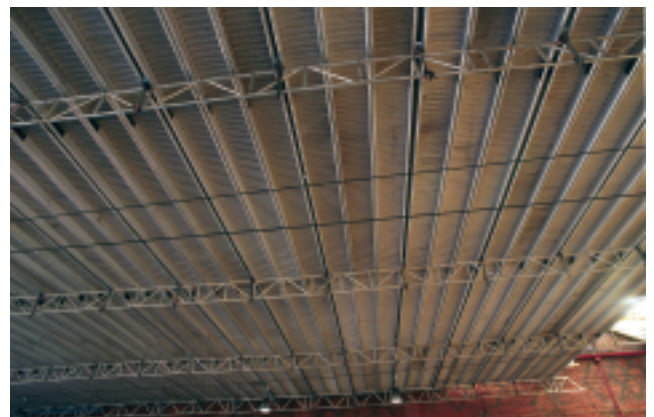
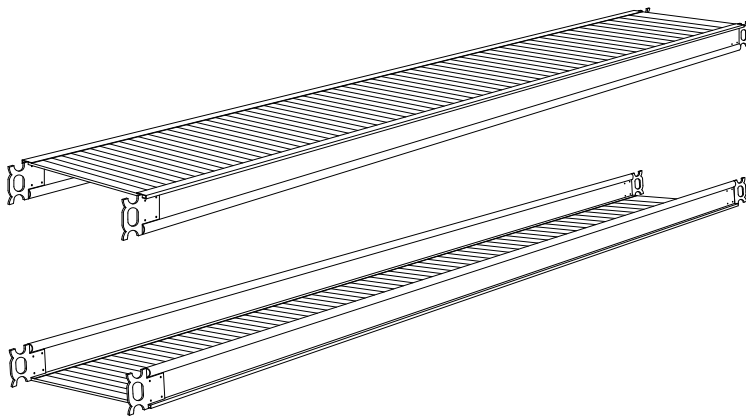
- Lightweight long-span aluminium walkway
- Maximum length 7.4m
- Integral toeboards provide safe working environment
- Attachable handrail posts
- Connector plates for continuous runs
- End plates to link access towers

Inverted walkways create multi functional platforms. A LiteDECK walkway was used at Kings Cross station to cross a fragile roof. Integral hand rails and steps (*optional*) ensured a safe environment for workers.



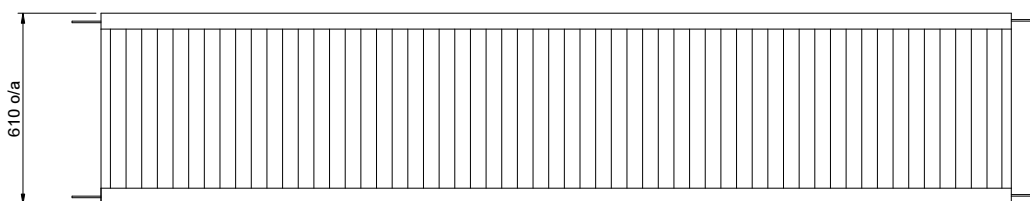
Kings Cross Station, UK

LiteDECK walkways can be easily connected to LiteTOWERS to make long continuous access system. Integral toeboards ensure a safe environment when working at height

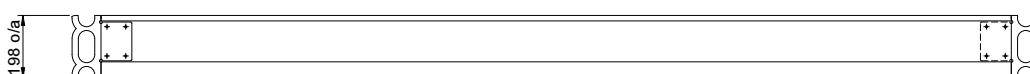


Stoke Station, UK

| Deck Walkways | Length (mm) | Width (mm) | Weight (kg) |
|---------------|-------------|------------|-------------|
| 5m            | 4947        | 610        | 35          |
| 6m            | 6161        | 610        | 44          |
| 7.4m          | 7404        | 610        | 51          |



PLAN



ELEVATION